



DIGITAL TYRE DEPTH GAUGE - DVSA APPROVED

MODEL NO: VS0563

Thank you for purchasing a Sealey product. Manufactured to a high standard, this product will, if used according to these instructions, and properly maintained, give you years of trouble free performance.

IMPORTANT: PLEASE READ THESE INSTRUCTIONS CAREFULLY. NOTE THE SAFE OPERATIONAL REQUIREMENTS, WARNINGS & CAUTIONS. USE THE PRODUCT CORRECTLY AND WITH CARE FOR THE PURPOSE FOR WHICH IT IS INTENDED. FAILURE TO DO SO MAY CAUSE DAMAGE AND/OR PERSONAL INJURY AND WILL INVALIDATE THE WARRANTY. KEEP THESE INSTRUCTIONS SAFE FOR FUTURE USE.



Refer to Instruction Manual

BATTERY WARNING

KEEP OUT OF REACH OF CHILDREN
Swallowing can lead to chemical burns, perforating of soft tissue, and death. Severe burns can occur within 2 hours of ingestion. Seek medical attention immediately.



Warning!
Batteries
in product

1. SAFETY

- ❑ **WARNING! Ensure Health and Safety, local authority and general workshop practice regulations are adhered to when using tools and equipment.**
- ✗ **DO NOT** use gauge if damaged.
- ✓ Maintain gauge in good and clean condition for best performance.
- ✓ Keep the work area clean, uncluttered and ensure there is adequate lighting.
- ✓ Keep children and unauthorised persons away from the work area.
- ✗ **DO NOT** use the gauge for any purpose other than for which it is designed.
- ✗ **DO NOT** get gauge wet or use in damp or wet locations, or areas where there is condensation. Keep gauge clean and dry using a dry cotton cloth only.
- ✗ **DO NOT** dip or submerge the gauge in any type of liquid.
- ✗ **DO NOT** expose gauge to bright sunlight or dust.
- ✗ **DO NOT** disassemble gauge. The gauge must be checked by qualified service personnel only.
- ✗ **DO NOT** apply any voltage to the gauge i.e. with an electric marker pen.
- ✓ Take care not to damage or scratch the scale surface.
- ✓ The gauge is a precision instrument, treat with care, avoid using force and do not subject to knocks or shocks.
- ✓ Use gauge in reasonably constant temperature conditions of approximately 20°C.
- ✓ When not in use, turn off and store gauge in a safe, dry, childproof location.

2. INTRODUCTION

Calibrated and DVSA approved for use when testing all classes of vehicle. Hardened and tempered stainless steel gauge. Metric and Imperial calibration with conversion between the two. Zero reset control allows for comparative measurement. Includes flat surface plate for accurate zeroing of gauge prior to use. Supplied in storage case.

3. SPECIFICATION

Model No:..... VS0563
 Range 0-10mm(0-0.4")
 Accuracy: ±0.01mm(0.0005")
 Battery: CR2032 (supplied)

4. OPERATION

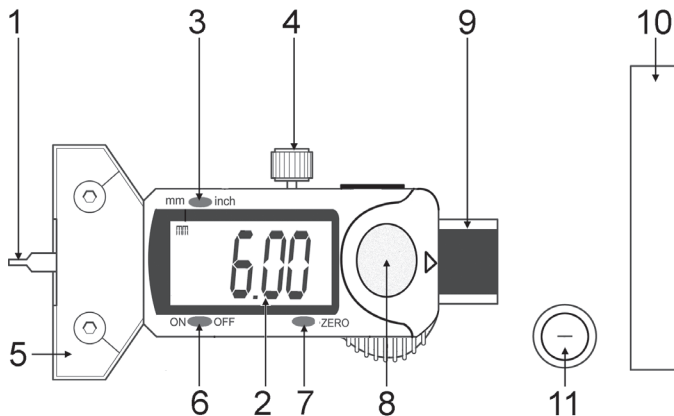


Figure 1

Item	Description
1	Depth measuring probe
2	LCD Display
3	mm/inch Button
4	Locking screw
5	Base
6	Power "ON/OFF" button
7	Zero set button
8	Battery cover
9	Beam
10	Zero set bar
11	Battery

4.1. ZERO SETTING

Prior to operation, perform a zero setting. To do this place the gauge foot on the zero set bar (fig.1 item 10) and press the probe down until it is level with the base then press the 'ZERO' button, the gauge has been set to zero when the LCD displays '0.00'. Note: After zero setting, the gauge retains this setting until the 'ZERO' button is pressed again or battery is removed.

4.2. PRODUCT USAGE

Switch on the gauge by pressing the ON/OFF button. Place the gauge foot across the tyre tread with the probe tip over the tyre groove. Press the probe down until it stops moving then read the display. The pressure exerted by the tip of the measuring probe must be uniform and constant to ensure correct and stable readings. Do not press too hard or incorrect results will be recorded.

5. MAINTENANCE

5.1. BATTERY INSTALLATION/REPLACEMENT

NOTE: The battery should last for one year of continuous use. If the display is blank or the digits are flashing the battery voltage is too low, replace the battery with a new CR2032 power cell. If the digits do not change when buttons are pressed or probe is moved, remove the battery for 1 minute to reset the unit. The battery should be removed if the gauge is not to be used for a long period.

5.1.1. Remove battery cover (fig.2.A) by sliding it backwards and lifting off.

5.1.2. Remove rubber spacer (fig.2.B) and exhausted battery (fig.2.C) and fit replacement with +ve side uppermost. Place the rubber spacer on top of the battery and press it into the recess. Slide the cover back into place.

Dispose of old battery in a safe and approved manner. If the display fails to alter when the slide is moved, remove the battery, wait at least 1 minute and then refit the battery.

5.2. CALIBRATION

5.2.1. Calibration is valid for 12 months after the packaging is opened.

5.2.2. We do not supply a certificate of calibration for the initial period. We recommend that the unit is returned to us annually for re-calibration.

A test certificate can be issued at this time. For re-calibration quote VS0563CAL

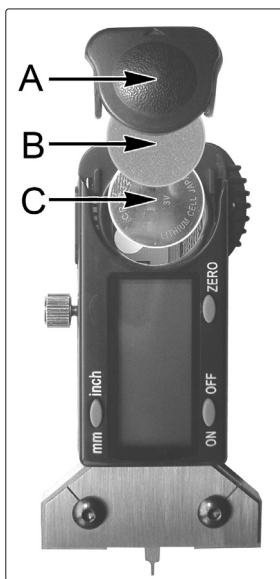


fig.2



ENVIRONMENT PROTECTION

Recycle unwanted materials instead of disposing of them as waste. All tools, accessories and packaging should be sorted, taken to a recycling centre and disposed of in a manner which is compatible with the environment. When the product becomes completely unserviceable and requires disposal, drain any fluids (if applicable) into approved containers and dispose of the product and fluids according to local regulations.



REGISTER YOUR PURCHASE HERE



WEEE REGULATIONS

Dispose of this product at the end of its working life in compliance with the EU Directive on Waste Electrical and Electronic Equipment (WEEE). When the product is no longer required, it must be disposed of in an environmentally protective way. Contact your local solid waste authority for recycling information.



BATTERY REMOVAL

Refer to section 5.1.

Under the Waste Batteries and Accumulators Regulations 2009, Jack Sealey Ltd are required to inform potential purchasers of products containing batteries (as defined within these regulations), that they are registered with Valpak's registered compliance scheme. Jack Sealey Ltd Batteries Producer Registration Number (BPRN) is BPRN00705.

Note: It is our policy to continually improve products and as such we reserve the right to alter data, specifications and component parts without prior notice.

Important: No Liability is accepted for incorrect use of this product.

Warranty: Guarantee is 12 months from purchase date, proof of which is required for any claim.

Sealey Group, Kempson Way, Suffolk Business Park, Bury St Edmunds, Suffolk. IP32 7AR



01284 757500



sales@sealey.co.uk



www.sealey.co.uk